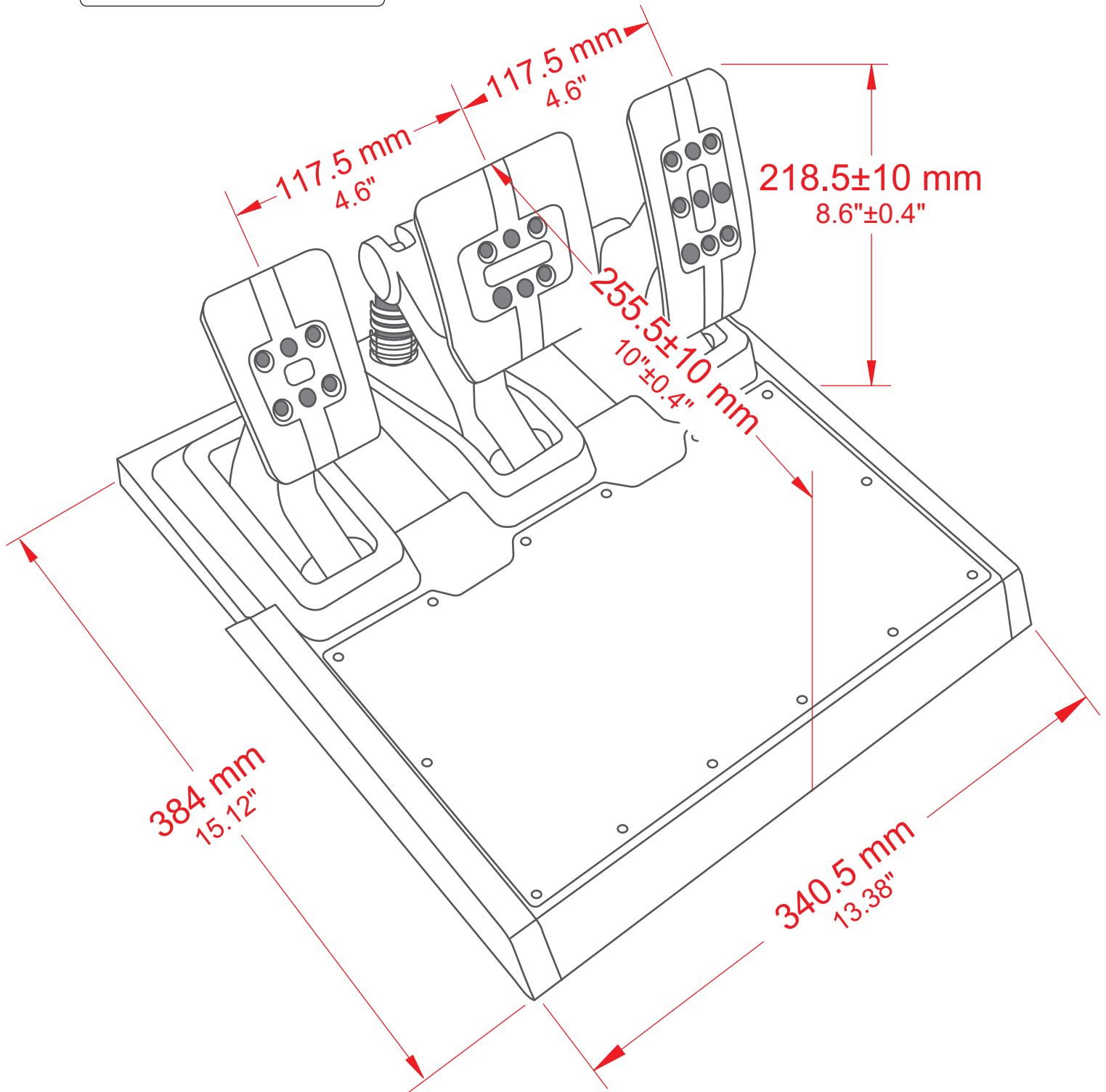
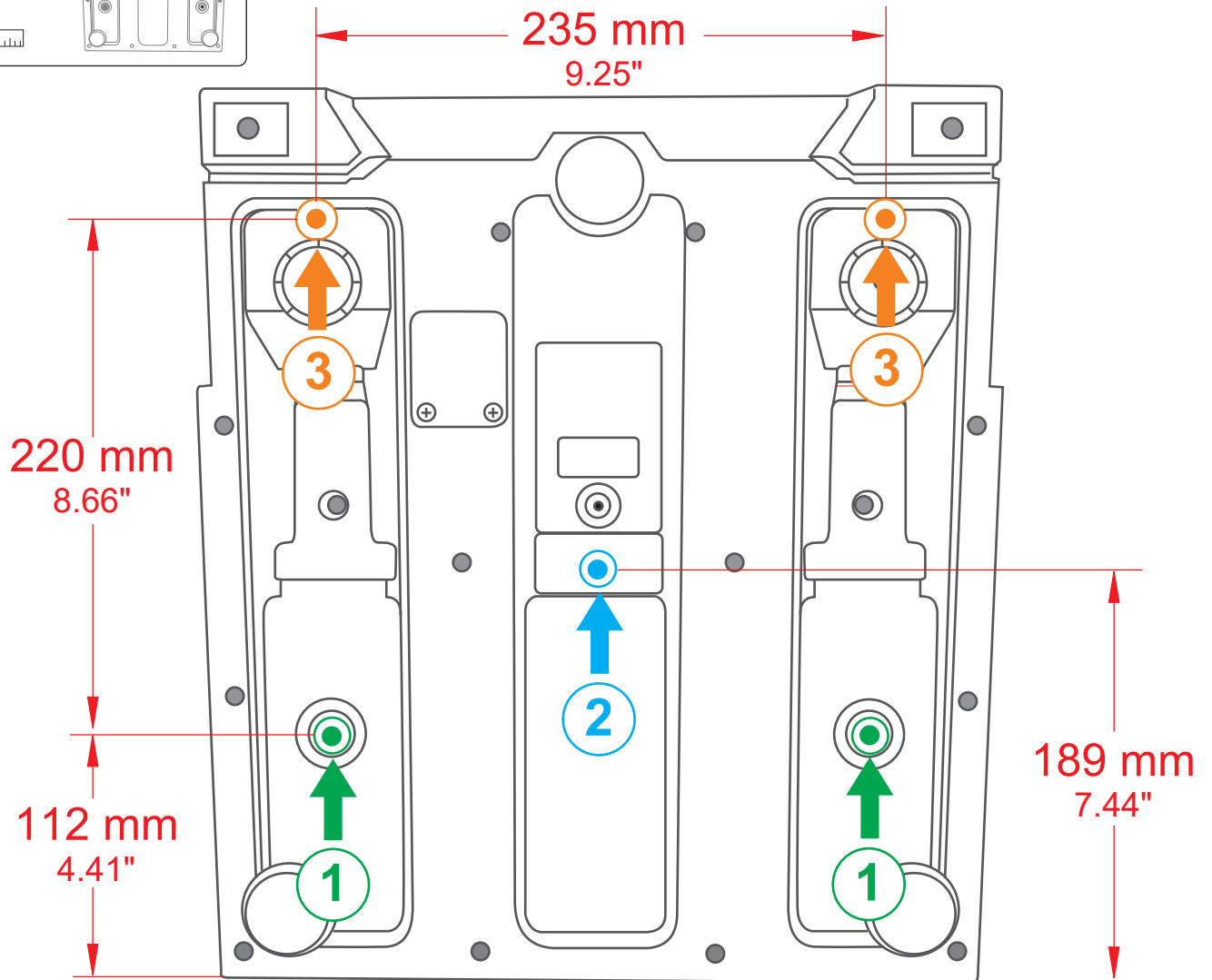
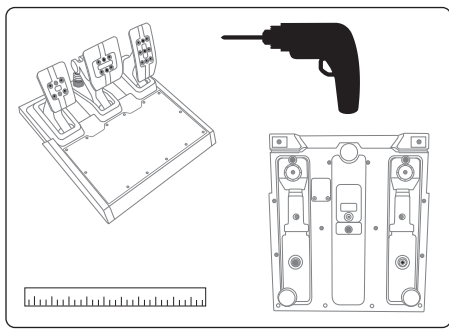


















COCKPIT SETUP*



*Plan d'implantation pour cockpit



  6 mm 0.25"		
 + 	  	4 x M6 Lmin = 8 mm/0.31" Lmax = 15 mm/0.59"
	 	2 x M6 Lmin = 8 mm/0.31" Lmax = 15 mm/0.59"
		1 x M6 Lmin = 20 mm/0.79" Lmax = 30 mm/1.18"
		2 x M6 Lmin = 8 mm/0.31" Lmax = 15 mm/0.59"